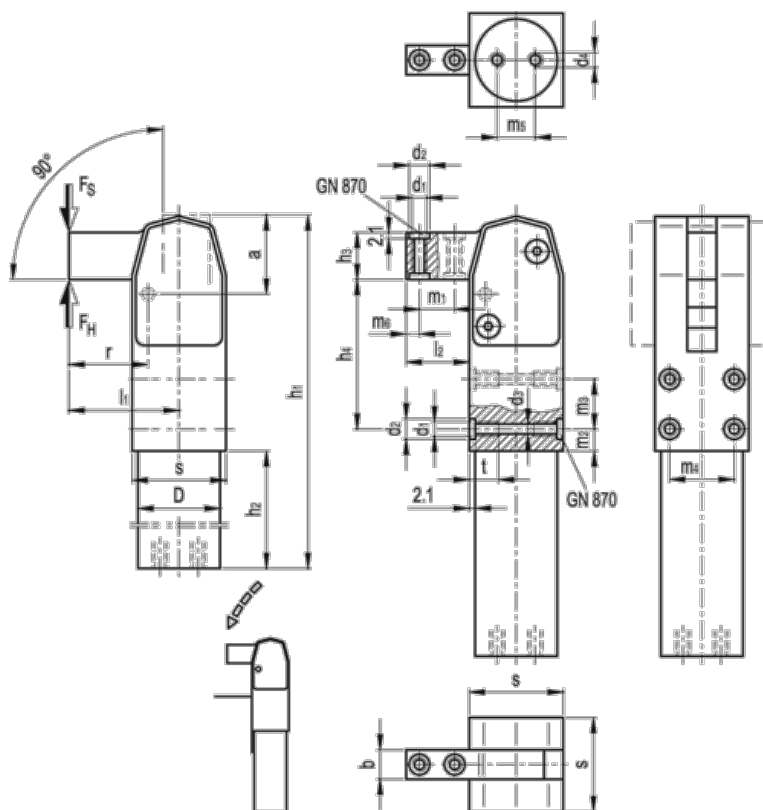


Article number: 201000020
 Description: E+G Power clamp
 GN 864-20-BL

Measures



a	= 27	h1 -0.5	= 150	m2	= 32	=
b -0.2	= 10	h2	= 70	m3 +/-0.01	= 13	=
Clamping force at 6 bar (approx.)	= 2220	h3	= 16	Weight (G)	= 620	=
d1	= M5	h4	= 51.0	m5	=	=
d2 H8	= 7	Holding force FH (N)	= 4070	m6	=	=
d3	= 4.2	l1	= 150	Max clamping moment (Nm)	=	=
d4	= M5	l2	= 37.5	Piston diameter	=	=
d h8	= 28	m1 +/-0.01	= 12	r	=	=